



This data sheet is designed as a quick and simple guide to using Ecodek, for more comprehensive information, please see the Ecodek Technical Data.

Substructure: Normally 6" x 2" treated softwood.

Max Joist Spacing (centre to centre)

Residential use: Up to 455mm (330mm if at 45° angle).
Public areas: 405mm (300mm if at 45° angle).

Board Spacing

2mm—5mm to suit.

Butt Joint Gaps (if screwed)

3mm minimum with boards up to 5m in length, thereafter +1mm for every metre over that.

Recommended Fixing Method

Coloured composite deck screws (available from Ecodek). Countersink with a SMART-BIT® or 3mm/4mm combi drill bit. Decking must be screwed down with 2 screws at every joist point. Decking must be screwed down within 40mm of the cut end of the board.

Drill & Countersink

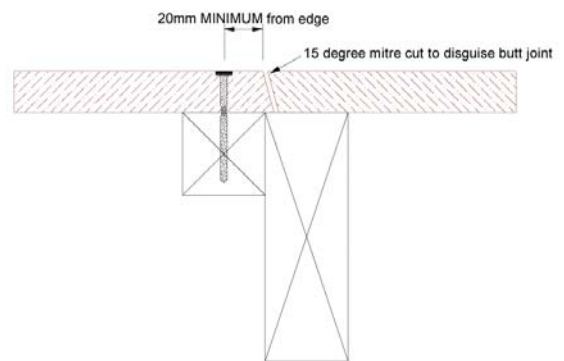
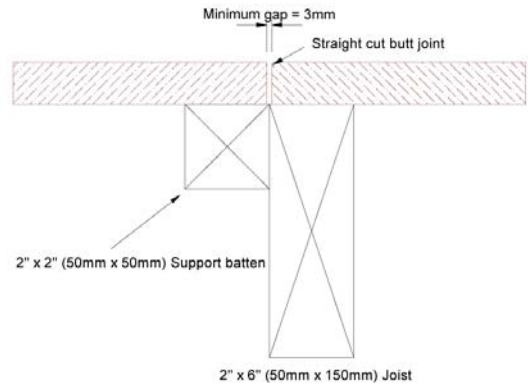
Ecodek can supply a SMART-BIT® that will drill & countersink in one very quick operation, designed specifically for composite decking.



DO NOT:

- Lay the boards directly on to a non-self draining surface without consulting with our technical department first
- Use hidden fixings or clips
- Butt the boards up (end to end) closer than the recommended 3mm

Two recommended 'Butting-up' methods



Screwing and Gapping Detail

