

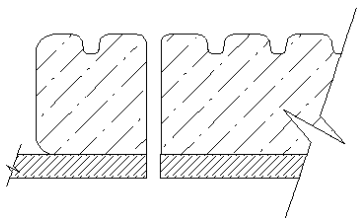
The new improved 38mm **ecodek®** balcony screw has been designed to simplify fitting and reduce cycle time. Now available in all colours, the balcony screw will allow the installer to secure composite decking on to 1.5mm – 5.0mm thick mild-steel or aluminium substrate.

**No more need to pre-drill, no more need to countersink!**

All 3 methods shown below are approved for use with the new balcony screw and have been tested on a 5mm thick mild steel support beam:

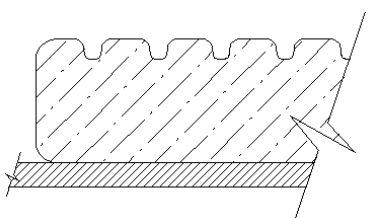
**Fast**

Pre-drill deck board and mild steel sub-structure with a 3mm dia HSS drill bit



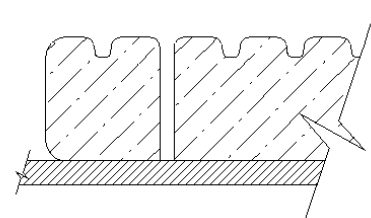
**Faster**

No pre-drilling (unless within 25mm of board end where it is mandatory to prevent possible cracking)



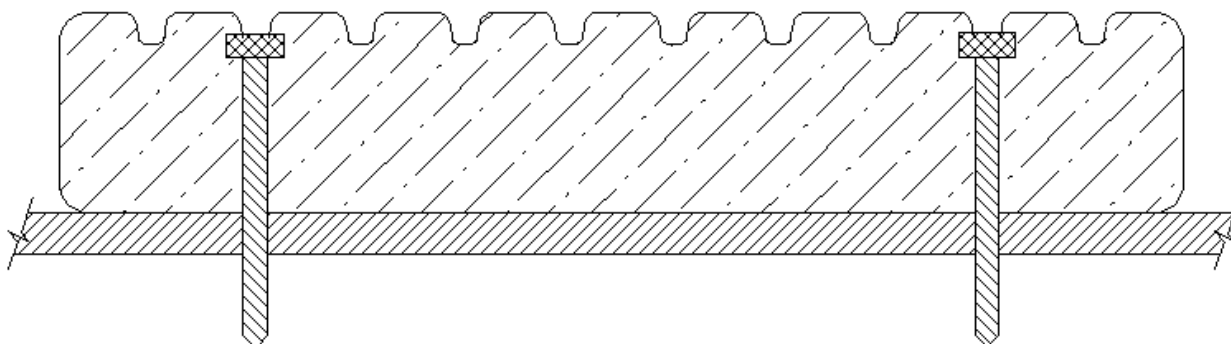
**Fastest**

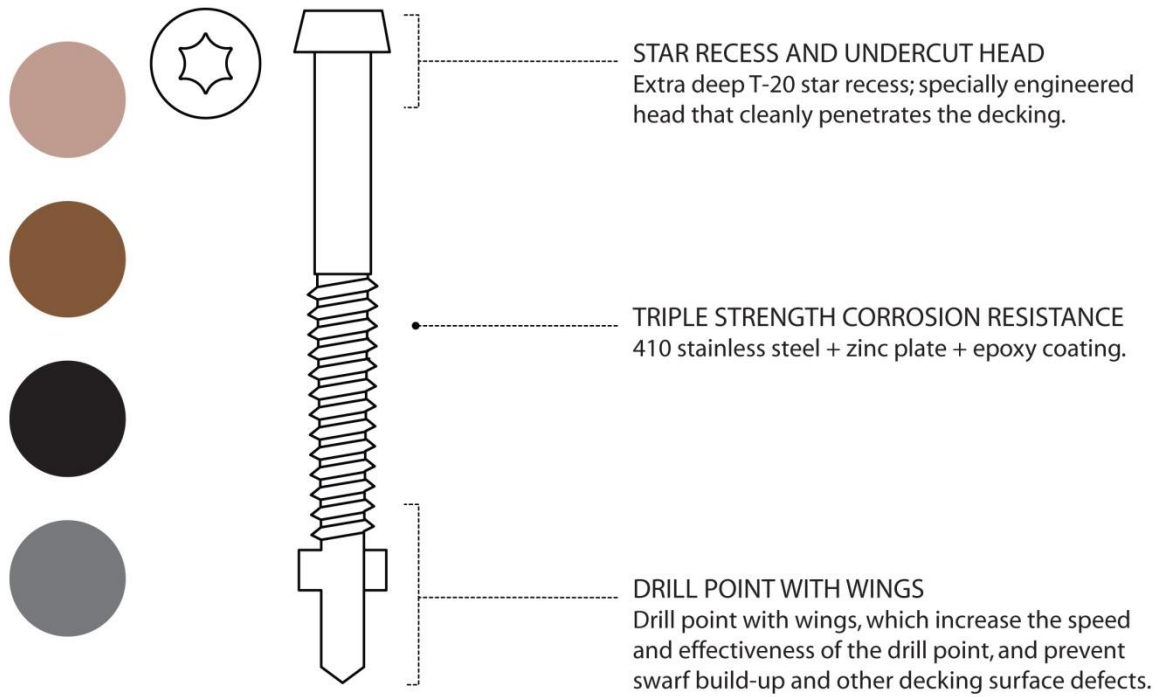
Pre-drill deck board only with a 3mm dia HSS drill bit



Depending upon the hardness of the steel sub structure, it may be easier to pre-drill when working at a thickness over 3mm.

There will be some swarf left around the screw head with all three methods and this should be brushed off with a suitable scraper.





**ecodek Unit 13 Abenbury Way Wrexham Industrial Estate Wrexham LL13 9UZ**  
**Tel: 01978 667 840 Fax: 01978 667 857 Email: [enquiries@ecodek.co.uk](mailto:enquiries@ecodek.co.uk) Visit: [www.ecodek.co.uk](http://www.ecodek.co.uk)**