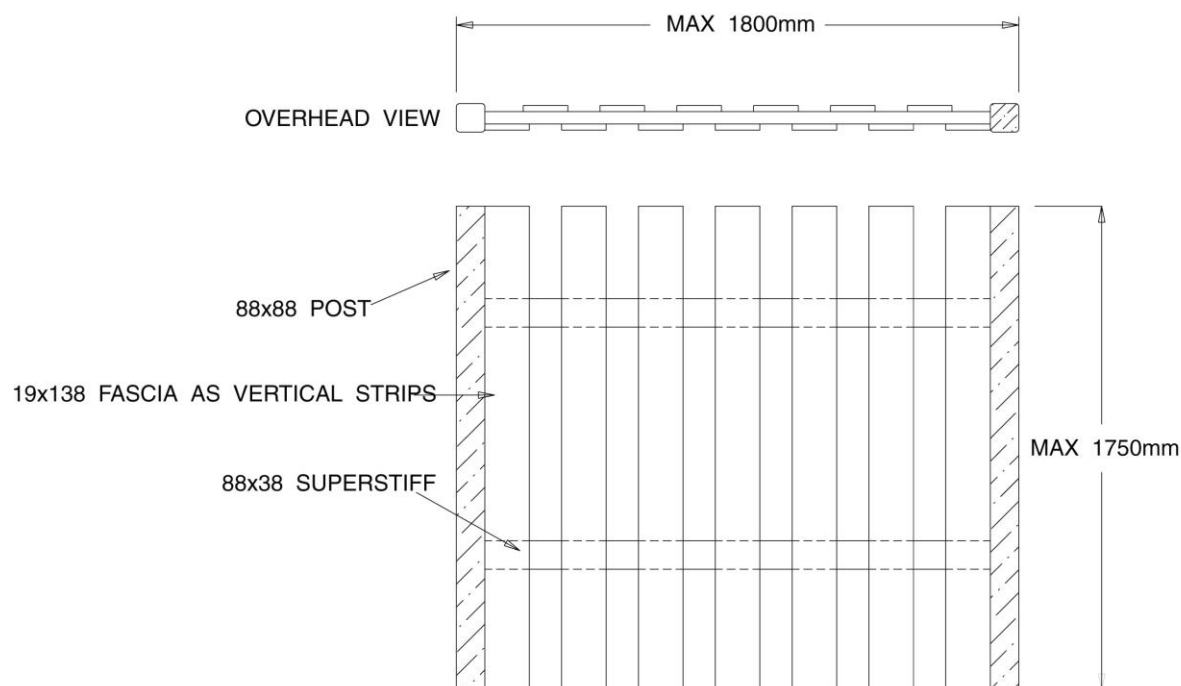


How to create Hit 'n Miss Panels using **ecodek®** Wide Facia Board and Supastiff Support Beam.



- The 19mm x 136mm should touch the ground to firmly support the weight of the panel
- Two screws per 19mm x 136mm where they meet the Supastiff support beam.
- Posts firmly dug in to the ground with full lengths of 2" scaffold pole inserted to reinforce posts and resist wind deflection.
- This type of panel allows air to flow through but still maintains privacy.